



## SJ63 AJ ARTICULATING BOOM

### STANDARD FEATURES

- Drivable at full height
- Axle based 4WD system
- Operator controlled locking rear differential and limited slip front differential
- Oscillating axle
- 55.2 kw (74hp) diesel engine
- Straight boom functionality
- 360° continuous turret rotation
- 45% Gradeability
- Swing out engine tray
- Swing up cowlings
- Modular platform railing system
- Tri-entry sliding mid-rail
- Wiring for AC outlet to platform
- Direction sensing drive and steer controls
- Proportional controls
- Relay based control system
- Colour coded and numbered wiring
- Hourmeter
- Operator horn
- Overload sensing system
- Tie down/lifting lugs
- Wet disc SAHR brakes (front and rear axle)
- Grip lug foam-filled tyres

### ACCESSORIES AND OPTIONS

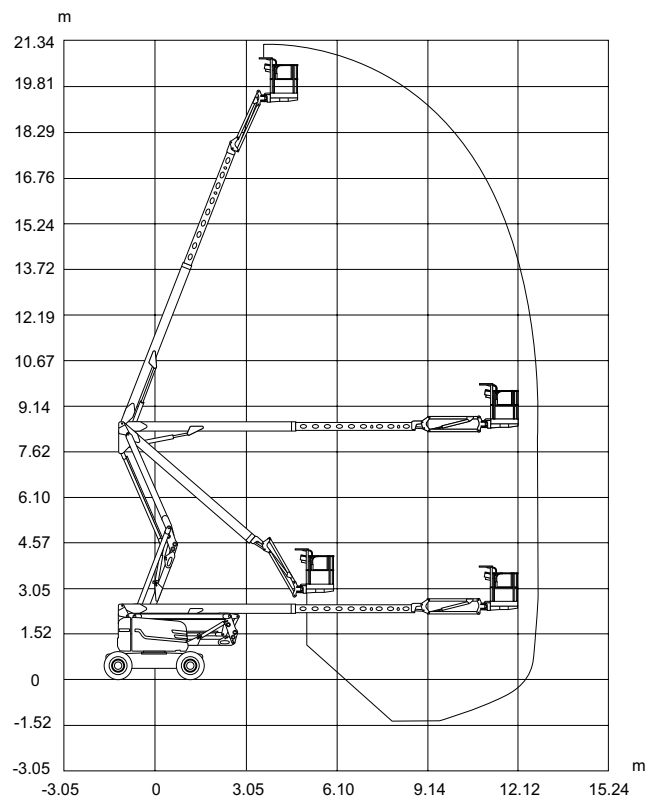
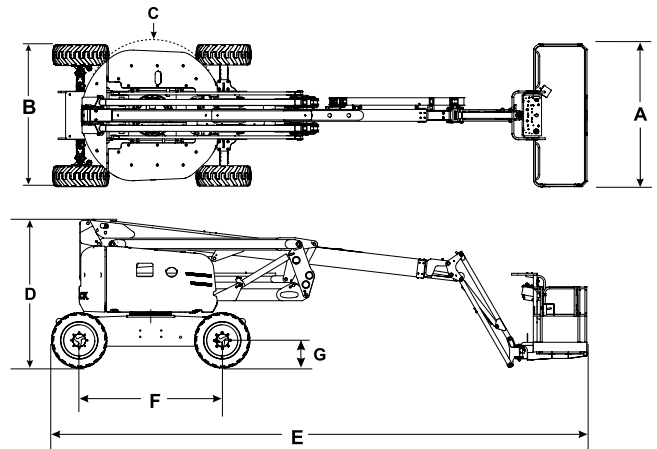
- 0.91 x 2.44 m Platform
- Airline to platform
- 3.5 kW generator (includes hydraulic oil cooler)
- Hydraulic oil cooler
- Flashing light
- All motion alarm
- 1/2" airline to platform
- Hostile environment package (includes cylinder bellows, boom wipers, covers for the fly boom cutouts, and control box cover.)
- Rear Gate
- Control box cover
- Auxiliary top rail (0.91 x 2.44 m platform only)
- Secondary Guarding (electrical or mechanical)
- Grip lug foam-filled non marking tyres

\* Capacities, and machine weights may differ when options are added.

# SJ63 AJ ARTICULATING BOOM LIFT

Dimensions	SJ63 AJ
Work Height	21.38 m
Platform Height	19.38 m
Horizontal Reach	12.19 m
Up and Over Height	8.38 m
<b>A</b> Platform Size	0.91 x 1.83 m
<b>B</b> Stowed Width	2.44 m
<b>C</b> Tailswing	Zero
<b>D</b> Stowed Height	2.54 m
<b>E</b> Stowed Length	9.14 m
<b>F</b> Wheelbase	2.44 m
<b>G</b> Ground Clearance	0.33 m

Specifications	SJ63 AJ
Rotation	360°
Platform Rotation	170°
Jib Length	1.68 m
Jib Range +/-	+65° / -60°
Weight	10,200 kg
Gradeability	45%
Turning Radius (Inside)	2.21 m
Turning Radius (Outside)	5.31 m
Axle Oscillation	10.16 cm
Drive Speed (High speed)	7.3 km/h
Capacity	227 kg
Local Floor Load ( With Rated Load)	1195 kPa
Overall Floor Load (With Rated Load)	12.4 kPa
Maximum # of Persons	2
Tyre Type	Grip lug foam-filled
Tyre Size	10.5 x 17.5
Diesel Engine	55.2 kw (74hp)
Fuel Tank Capacity	115L
Hydraulic Reservoir	115L



SJ63 AJ Work Height

## Skyjack UK

Unit 1, Maes-y-Clawdd  
Maesbury Road Industrial Estate  
Oswestry, Shropshire, SY10 8NN  
Tel: +44 1691 676235  
Fax: +44 1691 676239  
Email: info@skyjackeurope.co.uk

## Skyjack SAS (France)

ZI Le Clairin  
69700 Saint Romain en Gier  
France  
Tel: +33 (0) 4 78 73 53 32  
Tel: +33 (0) 4 78 73 05 68  
Fax: +33 (0) 4 78 56 52 42

## Skyjack Hebebühnen GmbH (Germany)

Därmannbusch 2a  
D-58456 Witten  
Tel: +49 (0) 2302 20 26 909  
Fax: +49 (0) 2302 20 25 671

## Skyjack AB (Sweden)

Agnesbergsvägen 28  
424 38 Agnesberg  
Sweden  
Tel: +46 (0) 31 21 22 45  
Fax: +46 (0) 31 787 65 10

[www.skyjack.com](http://www.skyjack.com)