

ENGINE

Model	Yanmar 3TNV88-BPYB Tier 4 Interim Certified
Cylinders	3
Bore/Stroke	3.46 x 3.54 in (88 x 90 mm)
Displacement	100 in ³ (1.6 L)
Fuel injection	Direct
Fuel injection pump	Mechanical
Fuel	Diesel
Fuel filter	Full flow
Cooling	Liquid
Net horsepower @ 2400 RPM—SAE J1349:	28.4 hp (21.2 kW)
Net maximum torque @ 1440 RPM:	72.6 lb-ft (98.4 N·m)

POWERTRAIN

Travel speeds:	Forward/Reverse
Low	1.6 mph (2.6 kph)
High	2.8 mph (4.5 kph)
Gradeability	58% (30°)
Drawbar pull	8,655 lb (38 kN)

ELECTRICAL

Voltage	12 Volts
Alternator rating	24 amp
Battery	12-volt low-maintenance

OPERATOR ENVIRONMENT

ROPS/FOPS three post canopy; Pilot operated hand controls and foot pedals; Adjustable seat w/ seat belt; Arm rests.

Display includes:

Engine oil pressure; Water temperature lamp; Air filter lamp; Water separator detection lamp; Low fuel warning lamp; Battery charge lamp; Glow plug indicator lamp; Water temperature gauge; Fuel gauge and hourmeter.

OPERATING WEIGHT

Operating weight w/ operator/full fuel/standard equipment	7,958 lb (3610 kg)
--	--------------------

HYDRAULICS

Main pumps	Tandem variable displacement/ axial piston pump
Max. rated flow	2 x 10.1 gpm (2 x 38.4 L/min)
Auxiliary flow	15.5 gpm (59.0 L/min)
System relief pressure:	
Standard	3,336 psi (230 bar)
Pilot control hydraulic system:	
Pump	Gear pump
Maximum capacity	3.2 gpm (12.2 L/min)
Relief pressure	514 psi (35.4 bar)
Control valves	10 spool
Pilot control for left/right track travel, boom, arm, bucket and swing.	
Manual control for breaker and backfill blade.	

Swing/Dozer blade:	
Motor	Fixed displacement axial piston

Travel:	
Motors – 2	Two-speed axial piston
Final drive	Planetary gear reduction

Boom cylinder	One (1)
Bore diameter	3.15 in (80 mm)
Rod diameter	1.97 in (50 mm)
Stroke	22.7 in (578 mm)

Arm cylinders	Two (2)
Bore diameter	3.15 in (80 mm)
Rod diameter	1.77 in (45 mm)
Stroke	22.05 in (560 mm)

Bucket cylinder	One (1)
Bore diameter	2.56 in (65 mm)
Rod diameter	1.38 in (35 mm)
Stroke	19.6 in (497 mm)

SERVICE CAPACITY

Fuel tank	10 gal (38 L)
Hydraulic tank:	
Refill capacity	10 gal (38 L)
Total system	12.7 gal (48 L)
Engine w/ filter change	1.8 gal (6.7 L)
Radiator	1.2 gal (4.6 L)

OTHER SPECIFICATIONS

Swing speed	0 – 8.9 RPM
Swing brake	Spring applied, hydraulically released w/ dual cushion relief
Undercarriage:	
Top tracks – each	1 roller
Bottom tracks – each	4 rollers
Boom:	
Swing	70° left/60° right
Length	8 ft 2 in (2.49 m)
Boom w/ arm cylinder and plumbing	485 lb (220 kg)
Arm:	
Length	4 ft 4 in (1.32 m)
Bare arm	165 lb (75 kg)
Bucket cylinder linkage and plumbing	111 lb (50.3 kg)
Total weight	276 lb (125.3 kg)

LIFT CAPACITIES

Canopy model — 4 ft 4 in (1.32 m) Arm Lift capacities calculated using 11.8 in (300 mm) shoes, 196 lb (89 kg) bucket, blade down.

Load (Lift Point) Height	5 ft (1.5 m)		7.5 ft (2.3 m)		10 ft (3.0 m)		12.5 ft (3.8 m)		15 ft (4.6 m)	
	END	SIDE	END	SIDE	END	SIDE	END	SIDE	END	SIDE
+10 ft (3.0 m)							1,190 lb (540 kg)	1,120 lb (510 kg)		
+7.5 ft (2.3 m)					1,380 lb (620 kg)	1,380 lb (620 kg)	1,280 lb (580 kg)	1,100 lb (500 kg)		
+5 ft (1.52 m)			2,760 lb (1250 kg)	2,380 lb (1080 kg)	1,830 lb (830 kg)	1,510 lb (680 kg)	1,480 lb (670 kg)	1,050 lb (470 kg)		
+2.5 ft (0.8 m)			3,760 lb (1700 kg)	2,180 lb (990 kg)	2,270 lb (1030 kg)	1,420 lb (640 kg)	1,690 lb (760 kg)	1,000 lb (450 kg)	1,390 lb (630 kg)	750 lb (340 kg)
Ground Level	2,550 lb (1150 kg)	2,550 lb (1150 kg)	4,020 lb (1820 kg)	2,120 lb (960 kg)	2,520 lb (1140 kg)	1,360 lb (610 kg)	1,820 lb (820 kg)	970 lb (440 kg)		
-2.5 ft (-0.8 m)	4,080 lb (1850 kg)	4,080 lb (1850 kg)	3,830 lb (1740 kg)	2,120 lb (960 kg)	2,520 lb (1140 kg)	1,340 lb (610 kg)	1,800 lb (810 kg)	960 lb (430 kg)		
-5 ft (-1.52 m)	5,790 lb (2620 kg)	4,550 lb (2060 kg)	3,290 lb (1490 kg)	2,150 lb (970 kg)	2,210 lb (1000 kg)	1,360 lb (620 kg)				
-7.5 ft (-2.3 m)	3,470 lb (1570 kg)	3,470 lb (1570 kg)	2,110 lb (950 kg)	2,110 lb (950 kg)						

*Rated loads are hydraulic limits rather than tipping load limits.

Cab model — 4 ft 4 in (1.32 m) Arm Lift capacities calculated using 11.8 in (300 mm) shoes, 196 lb (89 kg) bucket, blade down.

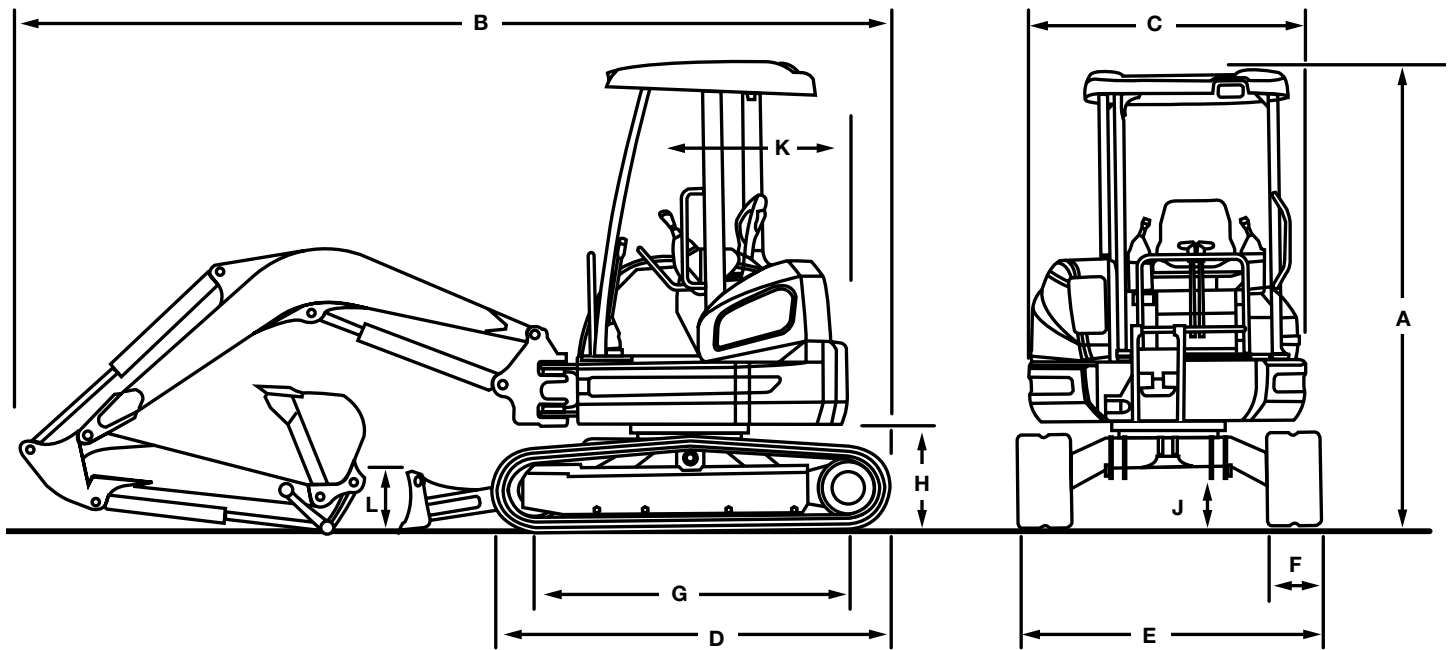
Load (Lift Point) Height	5 ft (1.5 m)		7.5 ft (2.3 m)		10 ft (3.0 m)		12.5 ft (3.8 m)		15 ft (4.6 m)	
	END	SIDE	END	SIDE	END	SIDE	END	SIDE	END	SIDE
+10 ft (3.0 m)							1,190 lb (540 kg)	1,190 lb (540 kg)		
+7.5 ft (2.3 m)							1,280 lb (580 kg)	1,160 lb (530 kg)		
+5 ft (1.52 m)			2,760 lb (1250 kg)	2,510 lb (1140 kg)	1,830 lb (830 kg)	1,600 lb (720 kg)	1,480 lb (670 kg)	1,120 lb (500 kg)		
+2.5 ft (0.8 m)			3,760 lb (1700 kg)	2,310 lb (1050 kg)	2,270 lb (1030 kg)	1,500 lb (680 kg)	1,690 lb (760 kg)	1,070 lb (480 kg)	1,390 lb (630 kg)	800 lb (360 kg)
Ground Level	2,550 lb (1150 kg)	2,550 lb (1150 kg)	4,020 lb (1820 kg)	2,250 lb (1020 kg)	2,520 lb (1140 kg)	1,450 lb (660 kg)	1,820 lb (820 kg)	1,040 lb (470 kg)		
-2.5 ft (-0.8 m)	4,080 lb (1850 kg)	4,080 lb (1850 kg)	3,830 lb (1740 kg)	2,250 lb (1020 kg)	2,520 lb (1140 kg)	1,430 lb (650 kg)	1,800 lb (810 kg)	1,030 lb (460 kg)		
-5 ft (-1.52 m)	5,790 lb (2620 kg)	4,800 lb (2180 kg)	3,290 lb (1490 kg)	2,280 lb (1030 kg)	2,210 lb (1000 kg)	1,450 lb (660 kg)				
-7.5 ft (-2.3 m)	3,470 lb (1570 kg)	3,470 lb (1570 kg)	2,110 lb (950 kg)	2,110 lb (950 kg)						

*Rated loads are hydraulic limits rather than tipping load limits.

Canopy model — 5 ft 3 in (1.59 m) Arm Lift capacities calculated using 11.8 in (300 mm) shoes, 196 lb (89 kg) bucket, blade down.

Load (Lift Point) Height	5 ft (1.5 m)		7.5 ft (2.3 m)		10 ft (3.0 m)		12.5 ft (3.8 m)		15 ft (4.6 m)	
	END	SIDE	END	SIDE	END	SIDE	END	SIDE	END	SIDE
+10 ft (3.0 m)							1,110 lb* (450 kg)*	1,010 lb* (450 kg)*		
+7.5 ft (2.3 m)					1,140 lb* (510 kg)*	1,140 lb* (510 kg)*	1,120 lb* (510 kg)*	1,100 lb (500 kg)	1,120 lb* (510 kg)*	780 lb (350 kg)
+5 ft (1.52 m)			2,260 lb* (1020 kg)*	2,260 lb* (1020 kg)*	1,600 lb* (720 kg)*	1,520 lb* (690 kg)*	1,340 lb* (600 kg)*	1,050 lb (470 kg)	1,210 lb* (540 kg)*	760 lb (340 kg)
+2.5 ft (0.8 m)			3,430 lb* (1550 kg)*	2,210 lb (1000 kg)	2,090 lb* (950 kg)*	1,420 lb (640 kg)	1,570 lb* (710 kg)*	1,000 lb (450 kg)	1,310 lb* (590 kg)*	730 lb (330 kg)
Ground Level	2,310 lb* (1040 kg)*	2,310 lb* (1040 kg)*	3,930 lb* (1780 kg)*	2,100 lb (950 kg)	2,420 lb* (1100 kg)*	1,350 lb (610 kg)	1,750 lb* (790 kg)*	950 lb (430 kg)	1,380 lb* (630 kg)*	710 lb (320 kg)
-2.5 ft (-0.8 m)	3,540 lb* (1600 kg)*	3,540 lb* (1600 kg)*	3,910 lb* (1770 kg)*	2,080 lb (940 kg)	2,510 lb* (1140 kg)*	1,320 lb (590 kg)	1,800 lb* (810 kg)*	930 lb (420 kg)		
-5 ft (-1.52 m)	4,990 lb* (2260 kg)*	4,440 lb (2010 kg)	3,520 lb* (1590 kg)*	2,100 lb (950 kg)	2,330 lb* (1050 kg)*	1,320 lb (600 kg)	1,620 lb (730 kg)	940 lb (430 kg)		
-7.5 ft (-2.3 m)	4,610 lb* (2090 kg)*	4,580 lb (2070 kg)	2,620 lb* (1180 kg)*	2,170 lb (980 kg)						

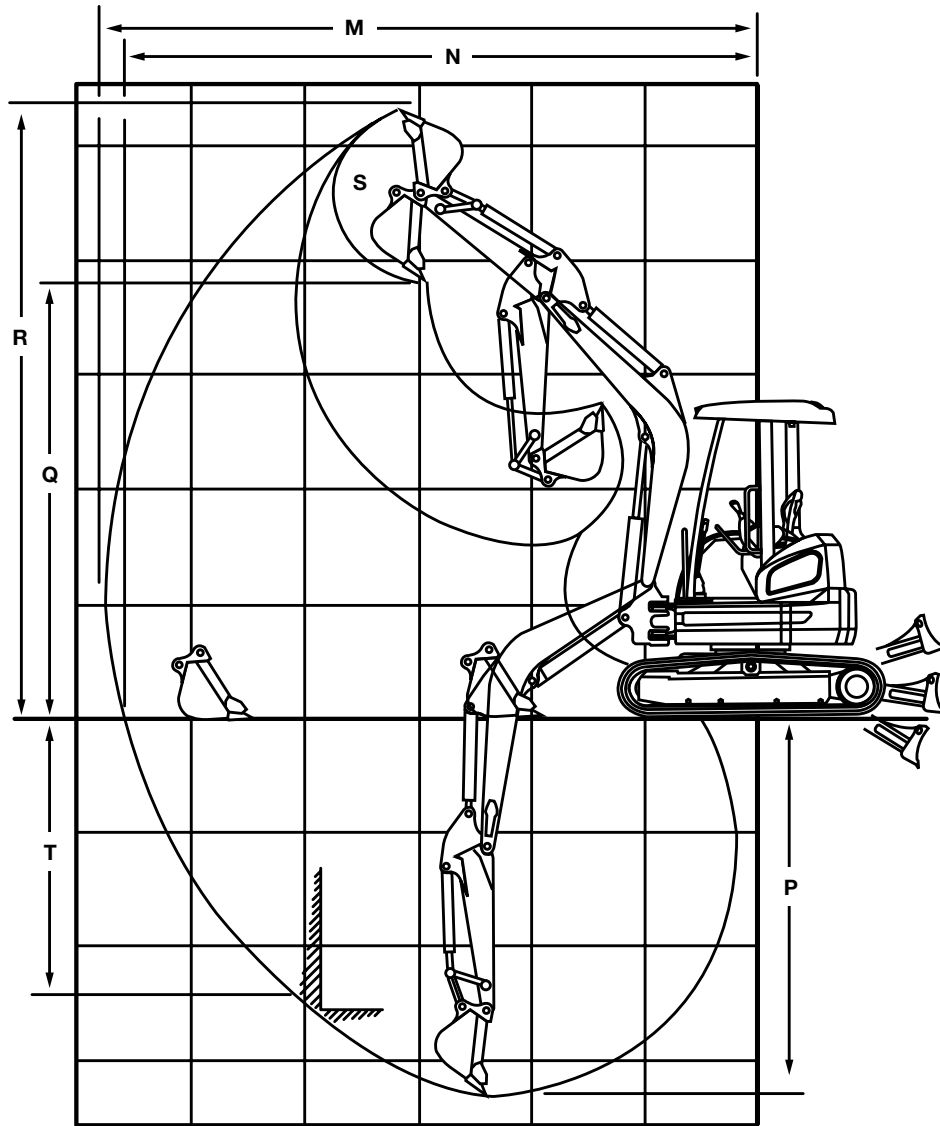
*Rated loads are hydraulic limits rather than tipping load limits.



Line drawings are for illustrative purpose only and may not be exact representation of unit.

DIMENSIONS

A. Overall height	8 ft 5 in (2.57 m)
B. Overall length	15 ft 5 in (4.71 m)
C. Width of upperstructure	5 ft 1 in (1.55 m)
D. Track overall length	7 ft 1 in (2.15 m)
E. Track overall width with 11.8 in (300 mm) shoes	5 ft 7 in (1.70 m)
F. Track shoe width	11.8 in (300 mm)
G. Center to center – idler to sprocket	5 ft 7 in (1.70 m)
H. Upperstructure ground clearance	1 ft 10 in (570 mm)
J. Minimum ground clearance	12.9 in (330 mm)
K. Tail swing radius	2 ft 9 in (850 mm)
L. Backfill blade height	1 ft 1 in (345 mm)
Working weight	7,958 lb (3610 kg)
Ground pressure	4.6 psi (32 kPa)
Boom swing	Left 70°/Right 60°
Tail swing overhang	0 ft 0 in (0 m)



Line drawings are for illustrative purpose only and may not be exact representation of unit.

PERFORMANCE SPECS

	5 ft 3 in (1.59 m) Arm	4 ft 4 in (1.32 m) Arm
M. Maximum dig radius	18 ft 0 in (5.50 m)	17 ft 2 in (5.24 m)
N. Dig radius at groundline	17 ft 7 in (5.37 m)	16 ft 8 in (5.11 m)
P. Maximum dig depth	11 ft 0 in (3.35 m)	10 ft 1 in (3.07 m)
Q. Dump height	12 ft 4 in (3.76 m)	11 ft 8 in (3.58 m)
R. Overall reach height	16 ft 11 in (5.16 m)	16 ft 3 in (4.98 m)
S. Bucket rotation	178°	178°
T. Vertical straight wall dig depth	8 ft 8 in (2.65 m)	7 ft 10 in (2.39 m)
Arm digging force	3,731 lb (17 kN)	4,203 lb (19 kN)
Bucket digging force: 2 position bucket	8,430 lb (37 kN)	8,430 lb (37 kN)

STANDARD EQUIPMENT

OPERATOR ENVIRONMENT

See page 1

ENGINE

Yanmar 3TNV88-BPYB diesel

4 Cycle

Water cooled

Direct injection

One touch decelerator

Engine access under rear hood

Dry type air cleaner with restriction indicator

Glow plug starting aid

ELECTRICAL

12-volt electrical starting system

Heavy-duty battery

Horn

HYDRAULICS

Auxiliary hydraulics – single/bi-directional –
and plumbing to arm

Large hydraulic oil cooler

Control pattern selector valve

TRACK DRIVE

Rubber tracks

Automatic 2-speed travel

Fully hydrostatic drive system

Sealed and lubricated track rollers

Track tension adjustment – grease type

Disc type parking brake – auto release and apply

UPPER STRUCTURE

Zero tail swing

Swing lock

Swing brake

Swing shock valve

OTHER

Swing boom – 70° left/60° right

Hydraulic backfill blade

OPTIONAL EQUIPMENT

OPERATOR ENVIRONMENT

Cab enclosure with heater

OTHER

Steel tracks

5 ft 3 in (1.59 m) arm

Mechanical coupler

Rigid thumb

Rigid thumb-coupler

BUCKETS

Width	SAE Heaped Capacity	Weight
12 in (305 mm)	2.13 ft ³ (0.060 m ³)	155 lb (70 kg)
24 in (610 mm)	4.25 ft ³ (0.120 m ³)	218 lb (99 kg)
36 in (914 mm)	6.60 ft ³ (0.186 m ³)	290 lb (132 kg)



NOTE: All specifications are stated in accordance with SAE Standards or Recommended Practices, where applicable.

NOTE: All engines meet current EPA emissions requirements.

IMPORTANT: Case Construction Equipment Inc. reserves the right to change these specifications without notice and without incurring any obligation relating to such change. Case Construction Equipment Inc. does not warrant the safety or reliability of attachments from other manufacturers.

Case is a registered trademark of CNH America LLC. Any trademarks referred to herein, in association with goods and/or services of companies other than CNH America LLC, are the property of those respective companies.



www.casece.com

